

# Gas Analyzer

## Owner's Guide



This document was, as far as possible, accurate at the time of release. However, changes may have been made to the software and hardware it describes since then. ADInstruments Pty Ltd reserves the right to alter specifications as required. Late-breaking information may be supplied separately.

### **Trademarks of ADInstruments**

PowerLab<sup>®</sup>, LabChart<sup>®</sup>, LabTutor<sup>®</sup>, LabAuthor<sup>®</sup> and MacLab<sup>®</sup> are registered trademarks of ADInstruments Pty Ltd. The names of specific recording units, such as PowerLab 8/30, are trademarks of ADInstruments Pty Ltd. LabTutor Server, Chart and Scope (application programs) and LabTutor Online are trademarks of ADInstruments Pty Ltd.

### **Other Trademarks**

Apple, Mac and Macintosh are registered trademarks of Apple Computer, Inc.

Windows, Windows 7, Windows Vista and Windows XP are either registered trademarks or trademarks of Microsoft Corporation.

All other trademarks are the property of their respective owners.

Product: ML206 Gas Analyzer

Document Number: U-ML206-OG-003D

Part Number: 4389

Copyright © January 2010 ADInstruments Pty Ltd.  
Unit 13, 22 Lexington Drive, Bella Vista, NSW 2153, Australia

All rights reserved. No part of this document may be reproduced by any means without the prior written permission of ADInstruments Pty Ltd.

Web: [www.adinstruments.com](http://www.adinstruments.com)  
Technical Support: [support.au@adinstruments.com](mailto:support.au@adinstruments.com)  
Documentation: [documentation@adinstruments.com](mailto:documentation@adinstruments.com)

ADInstruments Pty Ltd. ISO 9001:2000 Certified Quality Management System

Reg. No. 1053

# Contents

■ <b>Safety Notes</b>	<b>5</b>
<b>1 Overview</b>	<b>11</b>
How to Use This Guide . . . . .	12
Checking the Gas Analyzer . . . . .	12
The Gas Analyzer . . . . .	12
The Front Panel . . . . .	12
The Back Panel . . . . .	13
<b>2 Using the Gas Analyzer</b>	<b>15</b>
Connecting the Gas Analyzer. . . . .	16
Connecting to the PowerLab . . . . .	16
Connecting to Other Recorders . . . . .	17
Using the Gas Analyzer . . . . .	17
Power-up Test of the Gas Analyzer . . . . .	17
Sample Inlet . . . . .	17
Recording . . . . .	18
Calibration . . . . .	20
<b>3 Care and Maintenance</b>	<b>23</b>
Cleaning . . . . .	24
Maintenance . . . . .	24
<b>A Technical Details</b>	<b>25</b>
How it Works . . . . .	26
O <sub>2</sub> Transducer . . . . .	26
CO <sub>2</sub> Transducer . . . . .	27
Considerations When Using the Gas Analyzer . . . . .	27
<b>B Troubleshooting</b>	<b>29</b>
<b>C Specifications</b>	<b>31</b>
<b>Index</b>	<b>35</b>





# Safety Notes

## Statement of Intended Use

All products manufactured by ADInstruments are intended for use in teaching and research applications and environments only. ADInstruments products are NOT intended to be used as medical devices or in medical environments. That is, no product supplied by ADInstruments is intended to be used to diagnose, treat or monitor a subject. Furthermore no product is intended for the prevention, curing or alleviation of disease, injury or handicap.

Where a product meets IEC 60601-1 it is under the principle that:

- it is a more rigorous standard than other standards that could be chosen, and
- it provides a high safety level for subjects and operators.

The choice to meet IEC 60601-1 is in no way to be interpreted to mean that a product:

- is a medical device,
- may be interpreted as a medical device, or
- is safe to be used as a medical device.

## Safety Symbols

Devices manufactured by ADInstruments that are designed for direct connection to humans are tested to IEC 601-1:1998 (including amendments 1 and 2) and 60601-1-2, and carry one or more of the safety symbols below.

These symbols appear next to those inputs and output connectors that can be directly connected to human subjects.



BF symbol: Body-protected equipment



CF symbol: Cardiac-protected equipment



Warning symbol: 'see documentation'

The three symbols are:

- BF (body protected) symbol. This means that the input connectors are suitable for connection to humans provided there is no direct electrical connection to the heart.
- CF (cardiac protected) symbol. This means that the input connectors are suitable for connection to human subjects even when there is direct electrical connection to the heart.
- Warning symbol. The exclamation mark inside a triangle means that the supplied documentation must be consulted for operating, cautionary or safety information before using the device.

Further information is available on request.

## Bio Amp Safety Instructions

The Bio Amp inputs displaying any of the safety symbols are electrically isolated from the mains supply in order to prevent current flow that may otherwise result in injury to the subject. Several points must be observed for safe operation of the Bio Amp:

- All Bio Amp front-ends (except for the ML138 Octal Bio Amp) and PowerLab units with a built-in Bio Amp are supplied with a 3-lead or 5-lead Bio Amp subject cable and lead wire system. The ML138 Octal Bio Amp is supplied with unshielded lead wires (1.8 m). Bio Amps are only safe for human connection if used with the supplied subject cable and lead wires.
- All Bio Amp front-ends and PowerLab units with a built-in Bio Amp are

---

not defibrillator-protected. Using the Bio Amp to record signals during defibrillator discharges may damage the input stages of the amplifiers. This may result in a safety hazard.

- Never use damaged Bio Amp cables or leads. Damaged cables and leads must always be replaced before any connection to humans is made.

## Isolated Stimulator Safety Instructions

The Isolated Stimulator outputs of a front-end signal conditioner or PowerLab with a built-in isolated stimulator are electrically isolated. However, they can produce pulses of up to 100 V at up to 20 mA. Injury can still occur from careless use of these devices. Several points must be observed for safe operation of the Isolated Stimulator:

- The Isolated Stimulator output must only be used with the supplied bar stimulus electrode.
- The Isolated Stimulator output must not be used with individual (physically separate) stimulating electrodes.
- Stimulation must not be applied across the chest or head.
- Do not hold one electrode in each hand.
- Always use a suitable electrode cream or gel and proper skin preparation to ensure a low-impedance electrode contact. Using electrodes without electrode cream can result in burns to the skin or discomfort for the subject.
- Subjects with implantable or external cardiac pacemakers, a cardiac condition, or a history of epileptic episodes must not be subject to electrical stimulation.
- Always commence stimulation at the lowest current setting and slowly increase the current.
- Stop stimulation if the subject experiences pain or discomfort.
- Do not use faulty cables, or those that have exhibited intermittent faults.
- Do not attempt to measure or record the Isolated Stimulator waveform while connected to a subject using a PowerLab input or any other piece of equipment that does not carry the appropriate safety symbol (see Safety Symbols above).

Always check the status indicator on the front panel. It will always flash green each time the stimulator delivers a current pulse. A yellow flash indicates an 'out-of-compliance' (OOC) condition that may be due to the electrode contact drying up. Always ensure that there is good electrode contact at all times.

---

Electrodes that are left on a subject for some time need to be checked for dry contacts. An electrode impedance meter can be used for this task.

- Always be alert for any adverse physiological effects in the subject. At the first sign of a problem, stimulation must be stopped, either from the software or by flicking down the safety switch on the front panel of any built-in Isolated Stimulator or the ML180 Stimulus Isolator.
- The ML180 Stimulus Isolator is supplied with a special transformer plug pack. The plug pack complies with medical safety requirements. Therefore, under no circumstances should any other transformer be used with the Stimulus Isolator. For a replacement transformer plug pack please contact your nearest ADInstruments representative.

## General Safety Instructions

To achieve the optimal degree of subject and operator safety, consideration should be given to the following guidelines when setting up a PowerLab system either as stand-alone equipment or when using PowerLab equipment in conjunction with other equipment. Failure to do so may compromise the inherent safety measures designed into PowerLab equipment. The following guidelines are based on principles outlined in the international safety standard IEC60601-1-1: *General requirements for safety - Collateral standard: Safety requirements for medical systems*. Reference to this standard is required when setting up a system for human connection.

PowerLab systems (and many other devices) require the connection of a personal computer for operation. This personal computer should be certified as complying with IEC60950 and should be located outside a 1.8 m radius from the subject (so that the subject cannot touch it while connected to the system). Within this 1.8 m radius, only equipment complying with IEC60601-1 should be present. Connecting a system in this way obviates the provision of additional safety measures and the measurement of leakage currents.

Accompanying documents for each piece of equipment in the system should be thoroughly examined prior to connection of the system.

While it is not possible to cover all arrangements of equipment in a system, some general guidelines for safe use of the equipment are presented below:

- Any electrical equipment which is located within the SUBJECT AREA should be approved to IEC60601-1.
- Only connect those parts of equipment that are marked as an APPLIED PART to the subject. APPLIED PARTS may be recognized by the BF or CF symbols which appear in the Safety Symbols section of these Safety Notes.



- Only CF-rated APPLIED PARTS must be used for direct cardiac connection.
- Never connect parts which are marked as an APPLIED PART to those which are not marked as APPLIED PARTS.
- Do not touch the subject to which the PowerLab (or its peripherals) is connected at the same time as making contact with parts of the PowerLab (or its peripherals) that are not intended for contact to the subject.
- Cleaning and sterilization of equipment should be performed in accordance with manufacturer's instructions. The isolation barrier may be compromised if manufacturer's cleaning instructions are not followed.
- The ambient environment (such as the temperature and relative humidity) of the system should be kept within the manufacturer's specified range or the isolation barrier may be compromised.
- The entry of liquids into equipment may also compromise the isolation barrier. If spillage occurs, the manufacturer of the affected equipment should be contacted before using the equipment.
- Many electrical systems (particularly those in metal enclosures) depend upon the presence of a protective earth for electrical safety. This is generally provided from the power outlet through a power cord, but may also be supplied as a dedicated safety earth conductor. Power cords should never be modified so as to remove the earth connection. The integrity of the protective earth connection between each piece of equipment and the protective earth should be verified regularly by qualified personnel.
- Avoid using multiple portable socket-outlets (such as power boards) where possible as they provide an inherently less safe environment with respect to electrical hazards. Individual connection of each piece of equipment to fixed mains socket-outlets is the preferred means of connection.

If multiple portable socket outlets are used, they are subject to the following constraints:

- They shall not be placed on the floor.
- Additional multiple portable socket outlets or extension cords shall not be connected to the system.
- They shall only be used for supplying power to equipment which is intended to form part of the system.

## Cleaning and Sterilization

ADInstruments products may be wiped down with a lint free cloth moistened with industrial methylated spirit. Refer to the manufacturer's guidelines or the

---

Data Card supplied with transducers and accessories for specific cleaning and sterilizing instructions.

## Preventative Inspection and Maintenance

PowerLab systems and ADInstruments front-ends are all maintenance-free and do not require periodic calibration or adjustment to ensure safe operation. Internal diagnostic software performs system checks during power up and will report errors if a significant problem is found. There is no need to open the instrument for inspection or maintenance, and doing so within the warranty period will void the warranty.

Your PowerLab system can be periodically checked for basic safety by using an appropriate safety testing device. Tests such as earth leakage, earth bond, insulation resistance, subject leakage and auxiliary currents and power cable integrity can all be performed on the PowerLab system without having to remove the covers. Follow the instructions for the testing device if performing such tests.

If the PowerLab system is found not to comply with such testing you should contact your PowerLab representative to arrange for the equipment to be checked and serviced. Do not attempt to service the device yourself.

## Environment

Electronic components are susceptible to corrosive substances and atmospheres, and must be kept away from laboratory chemicals.

### Storage Conditions

- Temperature in the range 0–40 °C
- Non-condensing humidity in the range 0–95%.

### Operating Conditions

- Temperature in the range 5–35 °C
- Non-condensing humidity in the range 0–90%.

### Disposal

- Forward to recycling center or return to manufacturer.

# Overview

The ADInstruments ML206 Gas Analyzer is a set of transducers used for the measurement of respiratory gases. It contains infrared carbon dioxide and visible spectrum oxygen detectors, and connects to any PowerLab® data acquisition system, or any device that records an analog signal. The Gas Analyzer measures carbon dioxide and oxygen content in expired gas.

This owner's guide covers the features of the Gas Analyzer, its operation with a PowerLab data acquisition system, and how to use it to analyze gas samples.

# How to Use This Guide

This owner's guide describes how to set up and begin using your Gas Analyzer. Topics discussed included how to connect the hardware, perform a simple power-up test and calibration of the Gas Analyzer. The appendices provide technical information about the Gas Analyzer and look at some potential problems and their solutions. There is an index at the end of this guide.

## Checking the Gas Analyzer

Before connecting the Gas Analyzer to anything, check it carefully for signs of physical damage.

1. Check that there are no obvious signs of damage to the outside of the Gas Analyzer casing.
2. Check that there is no obvious sign of internal damage, such as rattling. Pick up the Gas Analyzer, tilt it gently from side to side, and listen for anything that appears to be loose.

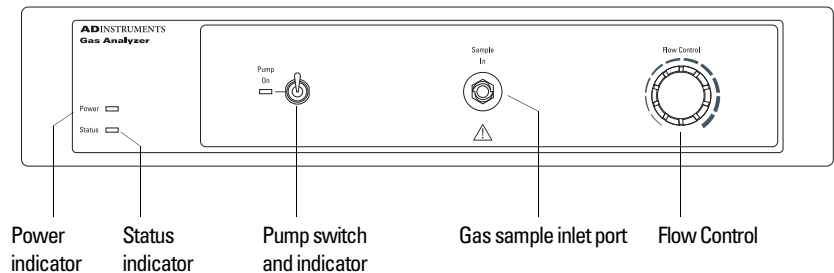
If you have found a problem, contact your authorized ADInstruments representative immediately, and describe the problem so arrangements can be made to replace or repair the unit.

## The Gas Analyzer

The remainder of this chapter contains general information about the features, connections and indicators of the Gas Analyzer. More detailed information can be found in Appendix A.

### The Front Panel

**Figure 1-1**  
The front panel of the  
Gas Analyzer



## Power Indicator

The Power indicator is located on the left hand side of the front panel and will glow blue when the power is connected properly. If the light does not illuminate when the Gas Analyzer is switched on then the power cable may not be connected properly or a fuse may have blown. If the internal fuses are suspected of having blown, the unit should be returned to your local ADInstruments representative.

## Status Indicator

The Status indicator glows green when the Gas Analyzer is connected to a PowerLab and has been recognized by LabChart.

## Pump On Indicator and Switch

The pump is activated using the switch. The indicator glows yellow, and the internal pump may be heard, when it is running.

## Gas Sample Inlet

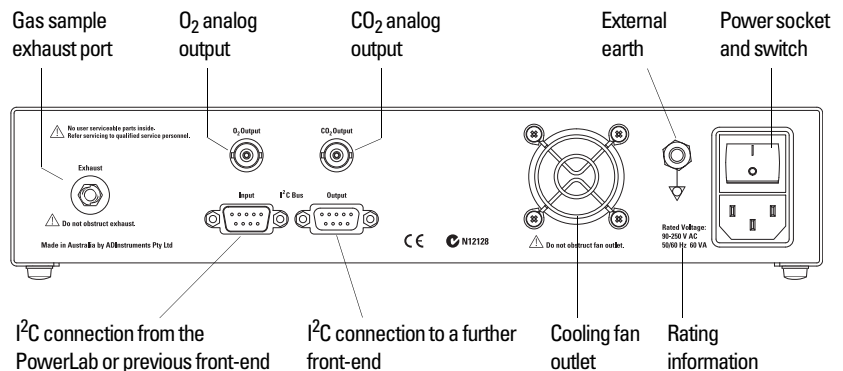
A sample inlet port is provided on the front panel. The inlet port is directly connected to the internal gas transducers of the Gas Analyzer. A sample flows through this port to be analyzed. Note that the hydrophobic filter, supplied with every unit, must be used at all times

## Flow Control

A single-turn knob on the front panel controls the sampling flow rate to suit different applications.

## The Back Panel

**Figure 1-2**  
The back panel of the  
Gas Analyzer



---

## **Exhaust Port**

A single exhaust port expels sample air to the atmosphere. Keep this port clear. Impeding the port prevents a clear flow of your sample past the transducers, which may reduce the accuracy of recordings.

## **Analog Outputs**

Two analog signal outputs proportional to the carbon dioxide and oxygen concentrations are provided with BNC connectors. They are linear over the range of gas concentrations in expired air. That is, 0–1 V from the CO<sub>2</sub> output (equivalent to 0–10% CO<sub>2</sub>) and 0.05–1 V from the O<sub>2</sub> output (equivalent to 5–100% O<sub>2</sub>). See Appendix A for further details.

These outputs connect to the analog inputs of your data recorder to provide the signals for the CO<sub>2</sub> and O<sub>2</sub> content of the sample gas.

## **I<sup>2</sup>C Input and Output Ports**

The I<sup>2</sup>C ports allow front-ends manufactured by ADInstruments to be chained together and supplied with power and communications from the PowerLab. Only 50 mA maximum current can be provided through this bus, so it should not be used for third-party devices drawing more current.

## **Power Connections**

The power switch on the back of the Gas Analyzer turns the unit on and off. The unit is connected to the power outlet using the 3-pin IEC style power cable supplied with the unit. The Gas Analyzer should always be grounded for safe operation.

## **Fuse Replacement**

The Gas Analyzer uses an autoranging power supply with internal fuses. If the internal fuses are suspected of having blown, the unit should be returned to your ADInstruments distributor for servicing.

# 2

## Using the Gas Analyzer

This chapter guides you through connecting your Gas Analyzer to your PowerLab and performing an initial check to make sure that there are no problems or omissions.

**IMPORTANT:** Always turn off both the PowerLab and Gas Analyzer before connecting or disconnecting either unit. Failure to do this may result in damage to the units.

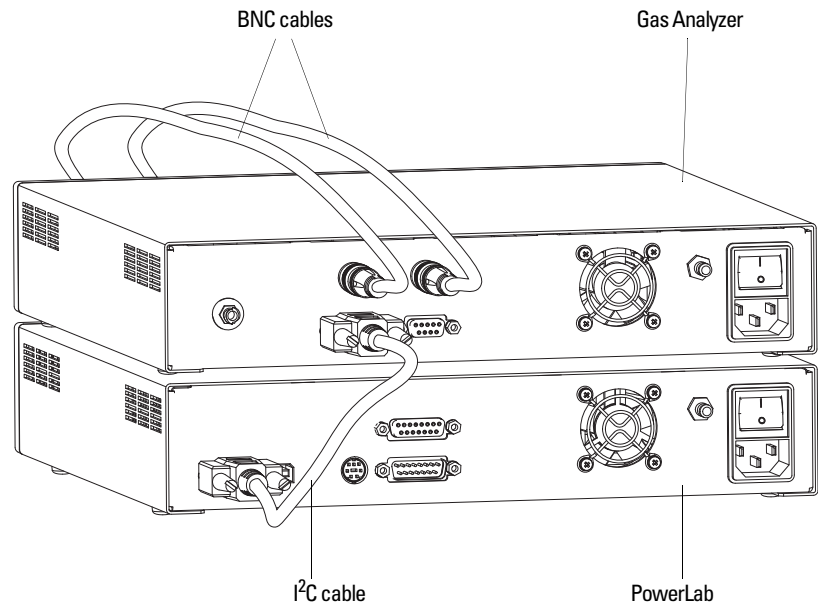
# Connecting the Gas Analyzer

The Gas Analyzer can operate either as a PowerLab front-end or as a stand-alone unit connected to any analog meter or recording device.

## Connecting to the PowerLab

To connect the Gas Analyzer to your PowerLab, first make sure that both the PowerLab and the Gas Analyzer are turned off.

**Figure 2-1**  
Connecting the Gas  
Analyzer to the PowerLab



Use two BNC cables to connect the CO<sub>2</sub> and O<sub>2</sub> analog outputs on the back panel (Figure 2-1) of the Gas Analyzer to two available inputs on the front panel of your PowerLab. Any free inputs on the PowerLab can be used for other measurements.

Use the I<sup>2</sup>C cable to connect the I<sup>2</sup>C Bus connector on the back panel of the PowerLab to the I<sup>2</sup>C Input connector on the back panel of the Gas Analyzer. You are able to use other ADInstruments front-ends at the same time as the Gas Analyzer by connecting them either before or after the Gas Analyzer in the I<sup>2</sup>C chain. Note that some front-ends use specific channels in LabChart. When using other front-ends with your Gas Analyzer, check the LabChart channels that are assigned to the other front-ends. The Gas Analyzer can operate on any unassigned channel.

The PowerLab must be connected to your computer. Please follow the instructions in the owner's guide for your PowerLab.



---

## Connecting to Other Recorders

Analog signals from the Gas Analyzer are linear and proportional to CO<sub>2</sub> and O<sub>2</sub> partial pressures (CO<sub>2</sub> output of 0–1 V is equivalent to 0–10% CO<sub>2</sub> and O<sub>2</sub> output of 0.05–1 V is equivalent to 5–100% O<sub>2</sub>). Although this guide assumes that you are using a PowerLab and LabChart, the principles of operation and calibration apply to any meter or recorder that you attach to the Gas Analyzer.

## Using the Gas Analyzer

When first switched on, the Gas Analyzer performs an initial self-test, and it should then be allowed time to warm up. When used with a PowerLab and LabChart, the Gas Analyzer has default scaling and units, and so can be used without further setting up. If required, you can calibrate it yourself using LabChart (see "Calibration", p. 20).

### Power-up Test of the Gas Analyzer

The Gas Analyzer performs an initial check when it is switched on.

1. Ensure dust caps are removed from both the Sample In and Exhaust ports of the Gas Analyzer, and that the Exhaust port is clear of obstruction.
2. Turn on the Gas Analyzer. Its Power indicator should glow blue.
3. Check the internal pump by flicking the Pump On switch. Its indicator should glow yellow and the pump may be heard.

Allow at least 10 minutes of operation with the pump on before recording with the Gas Analyzer. Until it has warmed up, the output from the CO<sub>2</sub> transducer may be unusable due to a large offset.

### Sample Inlet

This system is designed for passive sampling only: there is no need to breathe or blow directly into tubing connected to the inlet port. Connection to a high pressure source may damage the internal components.

Do not obstruct sample airflow as this can damage the internal pump.

It is extremely important that a method of moisture removal is employed when using the Gas Analyzer because any moisture entering the sample inlet port can damage the instrument. As a minimum, use Nafion tubing and an in-line polypropylene 0.45 μm hydrophobic filter (both supplied) to connect between the subject and the gas sample inlet. This has the advantage of being

low-maintenance and reduces the dead-space volume of the sample. Nafion is a reusable length of reinforced membrane that equilibrates the humidity across the tube wall. It is ideal for low humidity, non-equatorial climates, and air-conditioned environments that have low humidity.

In humid environments and for extra protection, completely dry the sample by using desiccant to remove any moisture. Drying should be employed when sampling from an exercising subject.

It is also recommended that a PFT bacterial filter (available as part of the Spirometer Kit from ADInstruments, for example) be fitted in the circuit after the face mask or mouthpiece so as to reduce bacterial build-up inside the Gas Analyzer.

## Recording

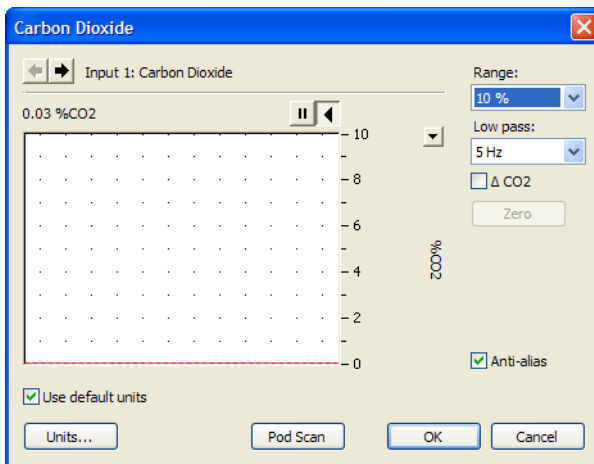
After connecting the Gas Analyzer to a PowerLab, with the PowerLab connected to your computer, connect the sampling tubing to the gas sample inlet of the Gas Analyzer using the in-line hydrophobic filter and Nafion tubing (to remove moisture). The analog signals from the Gas Analyzer are linear and proportional to the concentrations of CO<sub>2</sub> and O<sub>2</sub> (0–1 V from the CO<sub>2</sub> output is equivalent to 0–10% CO<sub>2</sub> and 0.05–1 V from the O<sub>2</sub> output is equivalent to 5–100% O<sub>2</sub>). These are approximate voltages and some variation from these values can occur.

1. Perform the power-up test for the Gas Analyzer as described in the previous section. Allow the Gas Analyzer at least 10 minutes warm-up time before use.
2. Turn on your PowerLab. It should perform its normal diagnostic tests, as described in the owner's guide.
3. Start LabChart. The Status indicator of the Gas Analyzer should glow green. A suggested initial sampling rate is 20 /s.
4. To preview the signal from the Gas Analyzer, or to adjust the range or low-pass filter settings, choose **Carbon Dioxide...** (or **Oxygen...**) from the relevant Channel Function pop-up menu. The Carbon Dioxide (or Oxygen) dialog appears (Figure 2–2).
  - The default **Range** is 10% for the Carbon Dioxide input and 100% for the Oxygen input.
  - The default **Low-pass** filter setting is 5 Hz.
  - You can record data in absolute or difference modes. The difference mode can be used to record changes in gas concentration from an ambient level. Select the **∑ CO2** (or **∑ O2**) checkbox to use the difference mode. When in difference mode, click the **Zero** button to remove any offset in the signal (Figure 2–2).

**▲ Warning**  
*Do not breathe or blow directly into the sampling tube – doing so may damage the gas transducers*

- Click the **Units...** button to open the Units Conversion dialog, with which you can enter different values for the channel, as described under "Calibrating with LabChart", p. 20; doing so deselects the **Use default units** checkbox. To revert to the default settings again, and so replace any previous settings made in the Units Conversion dialog, select the **Use default units** checkbox. The default settings are shown in Table 2-1.

**Figure 2-2**  
The Carbon Dioxide dialog,  
showing the default  
settings



- Start recording in LabChart. Ensure the pump is on and breathe across, not directly into, the sampling tubing opening to record gas concentrations.

**Table 2-1**  
Default Units Conversion  
values for the Gas Analyzer

Channel	Point 1 Values		Point 2 Values		Units	Decimal Places
	raw	converted	raw	converted		
Carbon Dioxide	0 V	0	1 V	10	%CO <sub>2</sub>	2
Oxygen	0 V	0	1 V	100	%O <sub>2</sub>	2

## Calibration

The Gas Analyzer has default calibration settings, which allow it to be used out-of-the-box as a front-end to a PowerLab or as a stand-alone instrument. If an independent calibration is required, concentrations measured from known calibration gases can be applied in LabChart.

---

## Default Calibration Settings

Both transducers produce linear outputs that are directly proportional to the concentrations of the CO<sub>2</sub> and O<sub>2</sub> in the sample. The CO<sub>2</sub> transducer has an output of 0–1 V for 0–10% CO<sub>2</sub> and the O<sub>2</sub> transducer has an output of 0.05–1 V for 5–100% O<sub>2</sub>. The linearity of the transducers allows the default units conversion values, displayed in Table 2–1, to be used.

## Calibration Gases

The carbon dioxide transducer can be calibrated using two gas samples with known CO<sub>2</sub> concentrations. The first can be room air, which has a CO<sub>2</sub> content of 0.03% (atmospheric CO<sub>2</sub> content by volume is  $0.033 \pm 0.001\%$ <sup>1</sup>). The second gas should have a CO<sub>2</sub> content between 5% and 10%. The flow rate of the sample gas should be held constant during calibration as the CO<sub>2</sub> reading is affected by the pressure and flow rate.

The oxygen transducer can be calibrated using two gases of known composition and with O<sub>2</sub> concentrations appropriate to the range of measurements that are expected. Room air can be one of the gases. It has an O<sub>2</sub> content of ~21% (atmospheric O<sub>2</sub> content by volume is  $20.946 \pm 0.003\%$ <sup>1</sup>). A second concentration in the range 5 to 21% O<sub>2</sub> can be used to represent an intermediate O<sub>2</sub> concentration. Pure N<sub>2</sub> cannot be used.

## Calibrating with LabChart

To perform an independent calibration of each of the CO<sub>2</sub> and O<sub>2</sub> transducers in LabChart, you use the Units Conversion feature to scale the transducer output appropriately.

1. When calibrating, make a recording of the transducer's response to gases of known concentrations (for example, a calibration gas and room air).
2. Select the region of the LabChart recording that shows the response to both calibration gases and then choose **Carbon Dioxide...** (or **Oxygen...**) from the relevant Channel Function pop-up menu to open the Carbon Dioxide (or Oxygen) dialog.
3. If you are using LabChart, clear the **Use default units** checkbox in the Carbon Dioxide (or Oxygen) dialog. Click the **Units...** button to open the Units Conversion dialog. Details of how to enter calibration values into the Units Conversion dialog can be found in the LabChart Help. Note that the **Use default units** checkbox in the Carbon Dioxide (or Oxygen) dialog can be checked to restore the default conversion values for the Gas Analyzer.

---

1. *Handbook of Chemistry and Physics 57<sup>th</sup> Edition*, CRC Press.

---

If you are using a version of Chart earlier than v5.1, which doesn't have the **Use default units** checkbox, use the Multipoint Calibration extension (a free download from [www.ADIstruments.com](http://www.ADIstruments.com)) to ensure the calibration values overwrite the default values. Details of how to use the extension can be found in the *MP Calibration Guide* that gets installed into the ADInstruments' Documentation folder.

Once the calibration values are entered and applied, they can be saved as a LabChart Settings file for later reuse.



# 3

## Care and Maintenance

The Gas Analyzer has been designed to eliminate much of the usual maintenance associated with sensitive measuring devices. The only maintenance that you may need to perform is the replacement of the hydrophobic and bacterial filters.

---

## **Cleaning**

The external surfaces of the Gas Analyzer can be cleaned using a mild soap solution and a soft cloth and then wiped clean with a damp cloth. Do not use abrasive cleaners as these may damage the external surfaces of the device.

## **Maintenance**

The only maintenance you should perform on the Gas Analyzer is the replacement of the external filters in the gas pathway.

It is recommended that the unit be returned to your ADInstruments distributor annually for servicing. Note that removing the cover of the Gas Analyzer will void the warranty.

### **Hydrophobic Filter**

A polypropylene hydrophobic filter fitted in the gas sample line should be replaced regularly.

### **Bacterial Filter**

The PFT bacterial filter fitted in the circuit after the face mask or mouthpiece is disposable and should be replaced for each new subject.

### **Moisture Handling**

In humid environments, or when sampling from exercising subjects, remove moisture from the sample using Nafion tubing in a dry environment and/or desiccant.



A large, stylized letter 'A' is the central focus of the header. It has a white outline and a grey fill. The background of the header is a light grey with diagonal stripes. The word 'APPENDIX' is written in a bold, sans-serif font above the 'A'.

# Technical Details

■

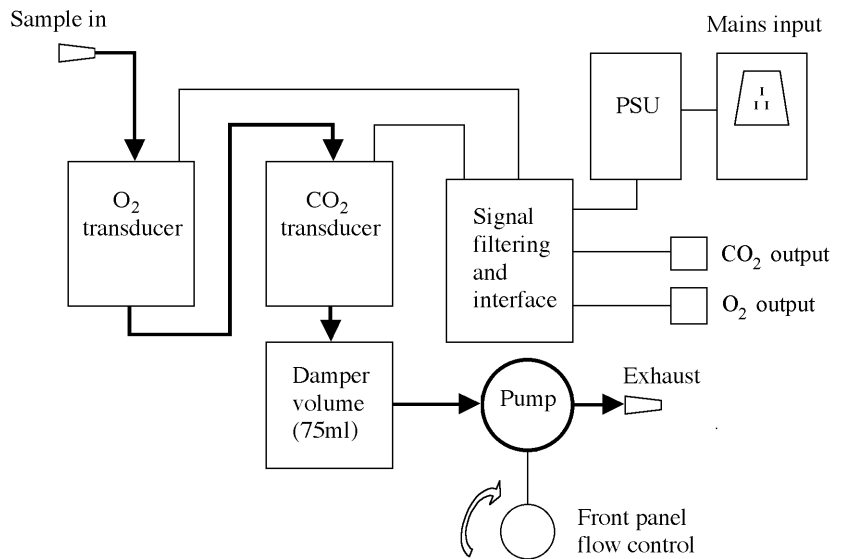
This Appendix describes some technical aspects of the Gas Analyzer's operation. You do not need to know the material in this section in order to operate the Gas Analyzer and it is not intended in any way as a service guide. It should be noted that any modification or attempt to service your Gas Analyzer voids your rights under the warranty.

# How it Works

The Gas Analyzer has an infra-red transducer to measure CO<sub>2</sub> concentration and a visible spectrum transducer to measure oxygen concentration. It has a response time of about 0.2 s (at ~200 ml/min) and can be used to indicate CO<sub>2</sub> and O<sub>2</sub> trends in exercising humans and small animals.

The variable speed pump draws sample gas through the two transducers. The pump can be set to any flow rate in the range 35 ml/min to 200 ml/min.

**Figure A-1**  
A simplified schematic of the Gas Analyzer



## O<sub>2</sub> Transducer

The O<sub>2</sub> transducer is an Oxigraf X2004 sensor which uses absorption spectroscopy in the visible spectrum (760 nm). Narrow-band light supplied by a laser diode, thermally tuned to a particular emission-line in the oxygen spectrum, is directed across a chamber containing the incoming gas sample. A detector on the opposite side of the chamber detects any attenuation in the light intensity at the wavelength of interest. As the concentration of oxygen in the chamber increases, more energy is absorbed by the oxygen molecules in the gas and less light is received by the detector.

---

## **CO<sub>2</sub> Transducer**

The CO<sub>2</sub> transducer is a Servomex model 1507 infrared transducer. It is calibrated so that output voltages in the range 0–1 V are proportional to CO<sub>2</sub> concentrations in the range 0–10%. The optical path, generation and detection system is an amplitude modulated carrier system.

### **Considerations When Using the Gas Analyzer**

- The sample inlet and exhaust ports on the Gas Analyzer should remain clear.
- Unnecessary dead-space in the gas path should be kept to a minimum.
- Chemical contamination and rubber compounds should be avoided.
- The sample gas dewpoint should be at least 10 °C below transducer temperature. The sample gas should be free of oil contaminants, particles and liquids or condensing vapors.
- In humid environments, or when sampling from exercising subjects, dry the sample using desiccant. Removing moisture will lengthen the life of the transducers.



# B

## Troubleshooting

This appendix describes some problems that may arise when using the Gas Analyzer. In most cases of when the Gas Analyzer does not appear to function correctly, the problem can be fixed by checking connections and starting up the LabChart application again.

If you cannot find a solution to your problem in this appendix, or in your PowerLab owner's guide or the LabChart Help Center, please contact your ADInstruments representative.

---

### ***Power indicator fails to light***

The Gas Analyzer is off or the power is switched off at the wall, the power cable is not connected firmly, or a fuse is blown.

- Physically check switches and power connections.
- Check that the power cable is firmly connected at the back of the Gas Analyzer.

If the internal fuses are suspected of having blown, the unit should be returned to your ADInstruments distributor for servicing.

### ***Drift in the Output Signal***

*Positive Drift:* Contamination build up in the sample chambers of the transducers will cause a positive drift proportional to the build up. Return the unit for cleaning or transducer replacement.

*Cyclic Drift:* Cyclic drift is directly related to temperature variations.

### ***No or Noisy Output***

Erratic or noisy output: Excessive bench temperature fluctuations lead to noisy or erratic drift in the transducers. Place a shroud over the benchtop to reduce fluctuations. Check power supply for ripples.

No output response or no output at situation: The sample cell is filled with condensate or there is a malfunction of the detector. Return the unit for cleaning or transducer replacement.

Output extremely erratic: Operating temperature outside specification.

### ***Impeded sample airflow***

The bacterial filter may become clogged under high humidity conditions. Replace the bacterial filter.

The exhaust port may be blocked or airflow impeded. Ensure the port is not restricted and is clear of obstructions.

### ***No response to changes in sample concentration***

Check that the pump is turned on.

# C

## Specifications

### Specifications

Sampling system:	One CO <sub>2</sub> and one O <sub>2</sub> transducer fed from a damped, micro-vacuum pump.
Gases:	Must be non-corrosive and non-flammable. A moisture removal scheme must be employed before the sampling inlet.
System sampling flow rate:	Approximately 35–200 ml/min (user variable).
Internal damping volume:	75 ml
Gas connector:	Plastic Luer
Moisture filter:	It is recommended that a 0.45 µm hydrophobic membrane filter be fitted before the sampling inlet.
Tubing material:	Tygon™
Materials in contact with gas:	316 stainless steel, phosphor bronze (Grade C52100), sapphire, Epotek H72 adhesive, Nylon 66, Tygon™
Warm-up time:	10 mins @ 20 °C

---

## CO<sub>2</sub> System

Type:	Infrared, optical
Range:	0–10% CO <sub>2</sub>
Output:	Linear, 0–1 V (0–10% CO <sub>2</sub> )
Resolution:	0.1% CO <sub>2</sub>
Linearity:	±0.1% CO <sub>2</sub>
Initial drift:	<±0.1% CO <sub>2</sub> in first 24 hours, then <±0.2% CO <sub>2</sub> during following 7 days.
Response time (10–90%):	90–130 ms @ 200–50 ml/min - transducer alone; 440 ms @ 200 ml/min sample flow with Nafion tubing and hydrophobic filter connected to sample inlet port
Temp coefficient:	Zero: <0.002% CO <sub>2</sub> /°C Span: <0.03% CO <sub>2</sub> /°C

## O<sub>2</sub> System

Type:	Visible spectrum (760 nm) absorption
Range:	5–100% O <sub>2</sub>
Output:	Linear, 0.05–1 V (5–100% O <sub>2</sub> )
Linearity:	±0.2% O <sub>2</sub>
Response time (10–90%):	transducer 130–300 ms between 200–50 ml/min
Cross-sensitivity:	±0.2%
Resolution:	0.01% O <sub>2</sub>
Drift:	0.1% O <sub>2</sub> over 2 hours



---

## **Operating Requirements**

Power supply:	85–250 V A.C. 50/60 Hz
Peak power requirements:	60 VA
Temperature range:	5–35 °C
Humidity:	0–90% (non-condensing)

## **Signal Outputs**

Analog output:	BNC connectors
----------------	----------------

## **Physical Configuration**

Dimensions (h × w × d):	60 mm × 300 mm × 300 mm (2.36" × 11.8" × 11.8")
Weight:	5 kg

*ADInstruments reserves the right to alter these specifications at any time.*



# Index

## A

analog outputs 14

## B

back panel 13

bacterial filter 18, 24

## C

calibrating 20–21

Carbon Dioxide dialog 19

carbon dioxide transducer 27

cleaning 9, 24

connecting to the PowerLab 16

connections

to other recorders 17, 16

## E

exhaust port 14

## F

flow control 13

front panel 12

fuse replacement 14

## H

hydrophobic filter 18, 24

## I

initial check 12

## M

maintenance 10, 24

## N

Nafion 18

## O

Oxygen dialog 19

oxygen transducer 26

## P

power connection 14

power indicator 13

PowerLab connection 16

problems 29

pump

indicator 13

switch 13

## S

Safety Notes 5–10

sample port 13

sampling breath 19

specifications 31

status indicator 13

storage 10

## T

technical specifications 31–33

## U

Use default units checkbox 19

using the Gas Analyzer 27

initially 17

